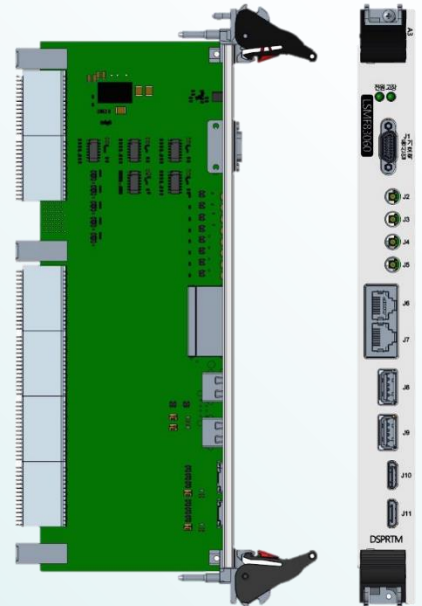
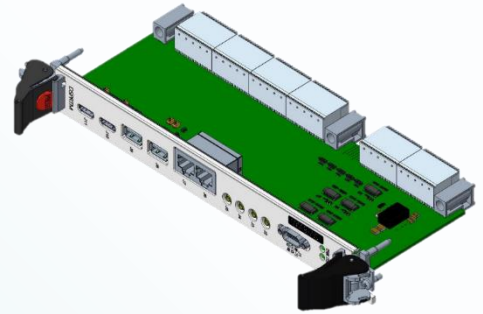
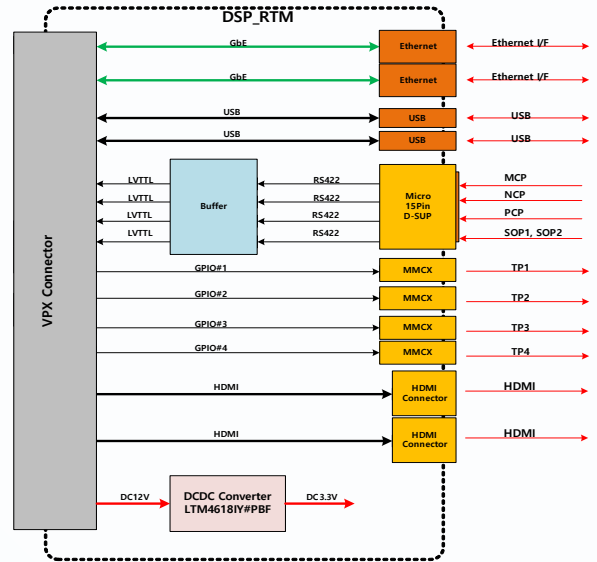
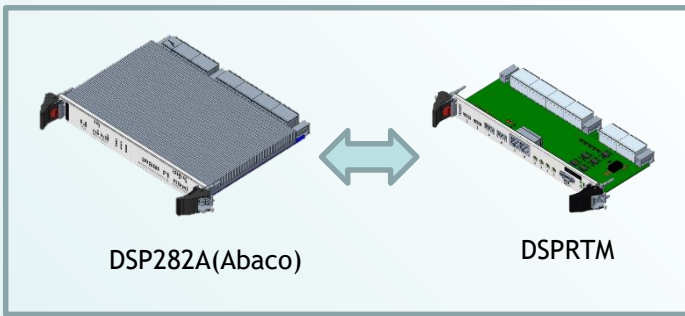


SC-DSPRTM

Digital Signal Processor(DSP) Rear Transition Module(RTM) for DSP282A

Features

- 6U OpenVPX Compliant
- 2x Ethernet RJ45
- 2x USB 2.0
- 2x mini HDMI
- 4x MMCX
- Micro-D RS-422 Sync signal Input



Specifications

Item	Description	Remark	
Form Factor	6U OpenVPX		
Rear IO	Micro-D	15Pin Female RS-422 Sync Input 5 channel	
	Ethernet	2x 10/100/1000 Ethernet Ports	
	MMCX	Support Programmable User I/O (LVDS, LVTTTL)	
	HDMI	2x Mini HDMI Output	
	USB	2x USB 2.0 Ports	
Environment	Operating	-45°C to +85 °C	
	Storage	-60°C to +100 °C	
	Humidity	0% - 95% non-condensed	
Connector	VPX	MultiGig RT2 CONN R/A PLUG DC VITA46	
		Keying Guide	1-1469492-x
Power Requirement	DC+12Volt 1.5A(MAX)		
Dimensions	233.3mm x 85.5mm x 25.1mm		
Weight	270 g		