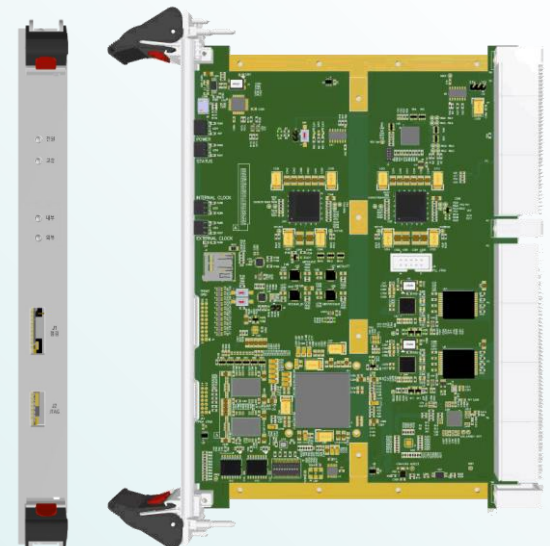
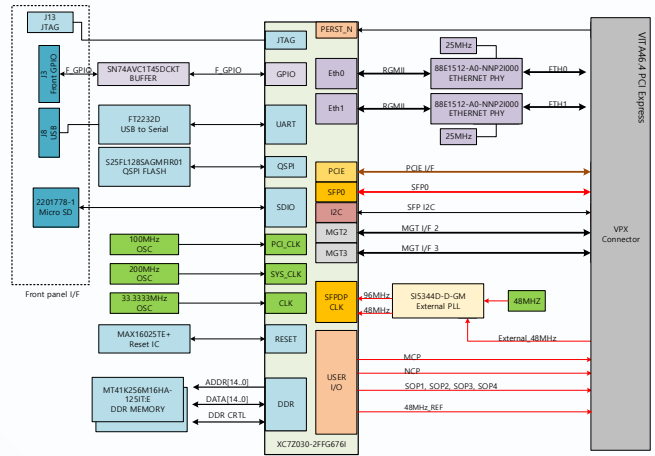
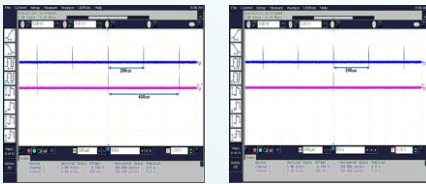
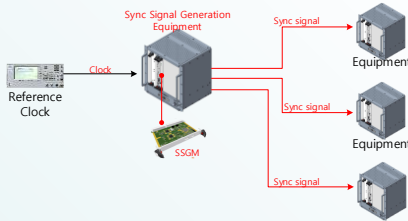


# SCVPX-SSGM

Rugged Sync Signal Generation Module (SSGM) featuring Zynq-7000 FPGA

## Features

- Rugged 6U VPX Form-factor
- Generate Sync Signals using Internal or External Clock
- PCI Express interface (Gen2)
- Using Integrated Sync Signal Generation(SSG) IP Core



## Specification

Item	Description	Remark	
FPGA	ARM Cortex-A9 MPCore 667Mhz	Zynq-7000 Series	
OS	Linux supported		
QSPI	256Mb Flash In-System Programmable Configuration QSPI ROMs	S25FL256-SAGMF100	
DDR3 Memory	DDR3 SDRAM 32 Meg x 32 x 8 bank		
micro SD CARD	Up to 32GB Interface (option)		
Ethernet Controller	10/100/1000Base-T Gigabit Ethernet Transceiver	88E1512	
Software Drivers	Linux as standard; others are costed options. Sample programs for driver usage (C/C++ source code)		
Rear IO	PCI	PCI Express Interface Gen2	
	Ethernet	2 Channel 10/100/1000 Ethernet Interface	
	User I/O	Support Programmable User I/O (LVDS, LVTTTL)	
	Clock	Synchronous Reference Clock Input	
Front IO	JTAG	1x JTAG Interface	
	Mini USB	1x UART Interface	
	LED	Power , Status LED	
Environment	Operating	-45°C to +85 °C	
	Storage	-60°C to +100 °C	
	Humidity	0% - 95% non-condensed	
Connector	VPX	MultiGig RT2 CONN R/A PLUG DC VITA46	1410189-3(1EA) 1410187-3(2EA)
		Keying Guide	1-1469492-x
	Power Requirement	DC+12Volt 1.5A(MAX)	
Dimensions	100 mm x 160mm x 20mm		
Weight	0.5Kg		