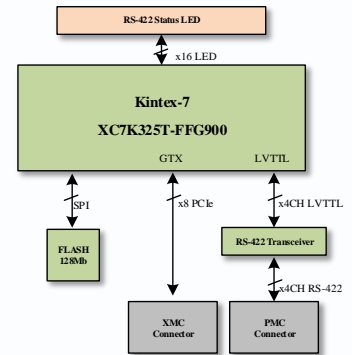
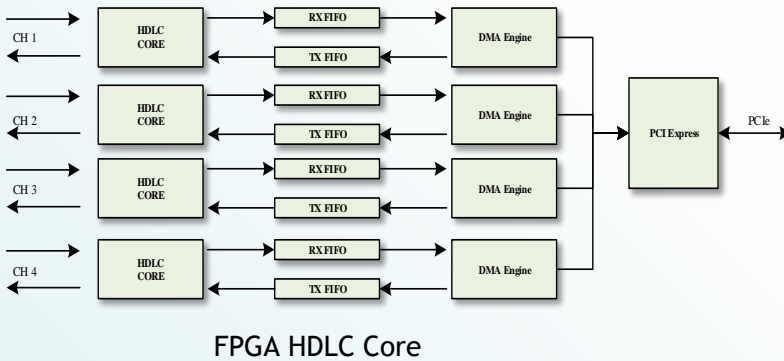
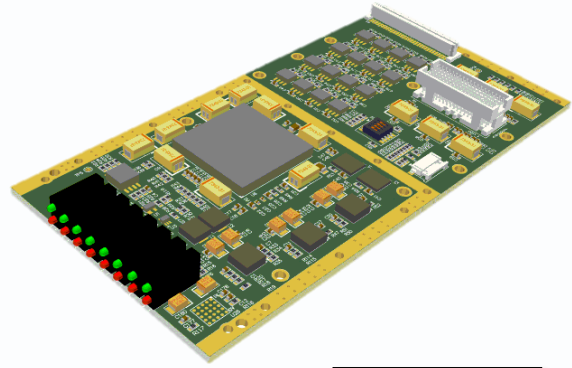


## Features

- 4x HDLC Serial Channels
- Synchronous Mode: 1Mbps up to 8Mbps
- PCI Express Interface
- Form-factor: XMC



## Specification

Item	Description		Remark
FPGA	Xilinx Kintex-7 FPGA		Kintex-7 Series
Flash Memory	128Mb Flash In-System Programmable Configuration SPI ROMs		N25Q128
HDLC	4x HDLC Channels Synchronous Mode: 1Mbps up to 8Mbps (RXD, RXC, TXD, TXC IO Signals)		SDLC Protocol
Software Drivers	Various software drivers can be offered including Linux as standard; others are costed options. Sample programs for HDLC driver (C/C++ source code)		
Environment	Operating	-45°C to +85 °C	
	Storage	-60°C to +100 °C	
	Humidity	0% - 95% non-condensed	
	Vibration	10 g (peak) 5 Hz to 2 kHz 0.1 g <sup>2</sup> /Hz at 15 Hz to 2 kHz	
Form Factor	XMC(PCIe) PMC(HDLC)		PMC Pn4 Connector
Power Requirement	DC+5Volt 0.5A(MAX) DC+3.3Volt 2A(MAX)		
Dimensions	160 mm x 74mm x 15mm		
Weight	115g		