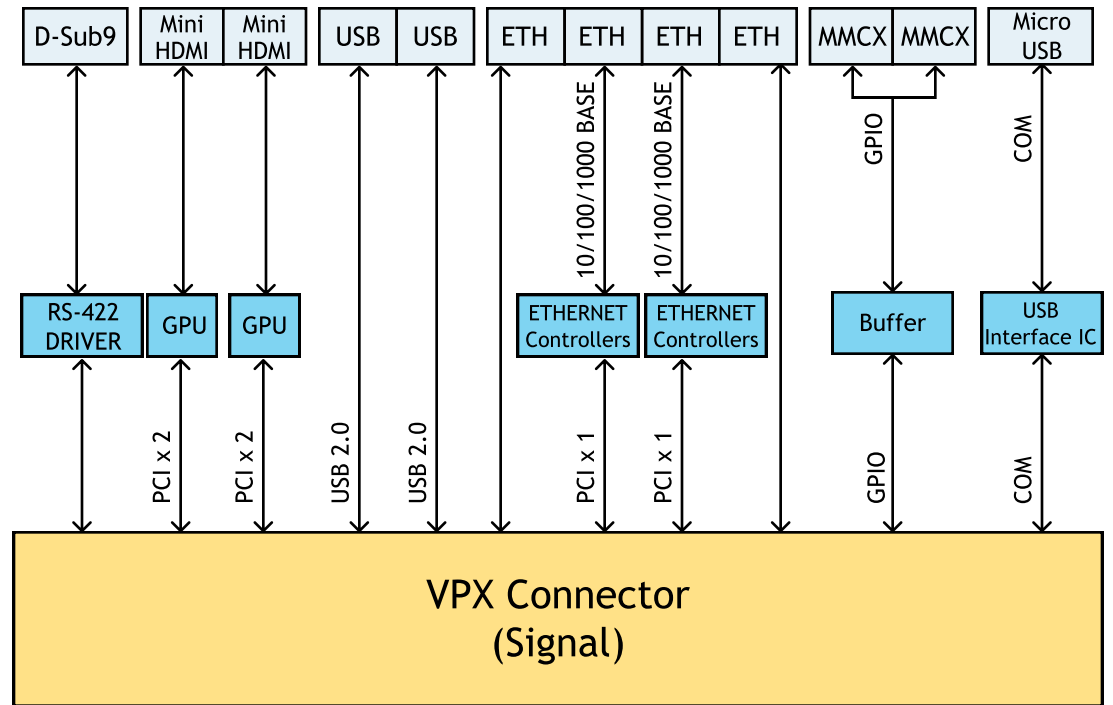
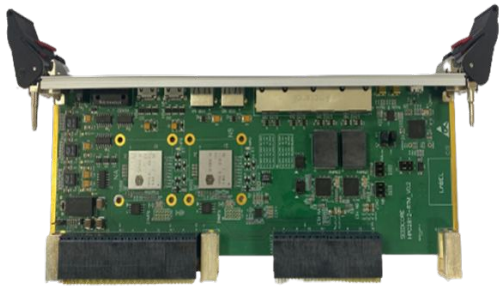


Features

- 6U Open VPX Compliant
- 3 x RS-422 Sync signal Input I/F
- 2 x Mini HDMI
- 2 x USB Ports
- 4 x RJ45 Ethernet Ports
- 2 x MMCX GPIO Ports
- Support Serial Port



Specification

Item	Description	Remark
Form Factor	Open VPX 6U	
GPU	Mini HDMI	Display 2 Ports
Rear IO	Micro-D	9Pin Female, RS-422 Sync Signal Input 3 Ports
	USB-A	USB2.0 2 Ports
	RJ45	10/100/1000 BASE Ethernet 4 Ports
	MMCX	GPIO 2 Ports
	Micro USB-B	Serial Port
Environment	Operating	-40 °C to +85 °C
	Storage	-40 °C to +100 °C
	Humidity	0% - 95% Non-Considering
Connector	VPX	Multi-Gig RT2 Connector R/A VITA46
		Keying Guide
Reliability	MTBF	386,031(HOUR)
Power Requirement		DC+12Volt 1.5A(MAX)
Dimensions		233.3mm x 85.5mm x 25.1mm
Weight		Approx. 0.3 Kg