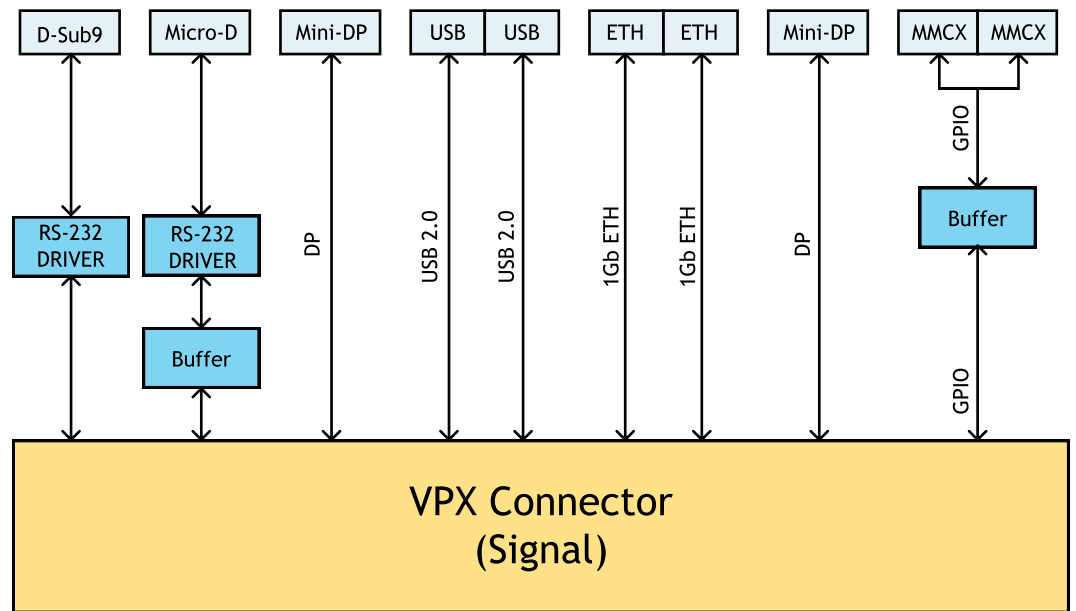


## Features

- 6U Open VPX Compliant
- RS-232 Serial Port
- 3 x RS-422 Sync signal Input I/F
- 2 x Mini-DP
- 2 x USB Ports
- 2 x RJ45 Ethernet Ports
- 2 x MMCX GPIO Ports



## Specification

Item	Description		Remark
Form Factor	Open VPX 6U		
Rear IO	D-sub	9Pin RS-232 Serial Port (Maintenance Port)	
	Micro-D	9Pin Female RS-422 Input 3 Ports	
	Mini-DP	Display Port	
	RJ45	10/100/1000 BASE Ethernet 2 Ports	
	MMCX	GPIO 2 Ports	
	USB-A	USB 2 Ports	
Environment	Operating	-40 °C to +85 °C	
	Storage	-50 °C to +100 °C	
	Humidity	0% - 95% Non-Considering	
Connector	VPX	Multi-Gig RT2 Connector R/A VITA46	
		Keying Guide	1-1469492-x
Reliability	MTBF	797,828(HOUR)	
Power Requirement		DC+12Volt 1.5A(MAX)	
Dimensions		233.3mm x 85.5mm x 25.1mm	
Weight		Approx. 0.3 Kg	