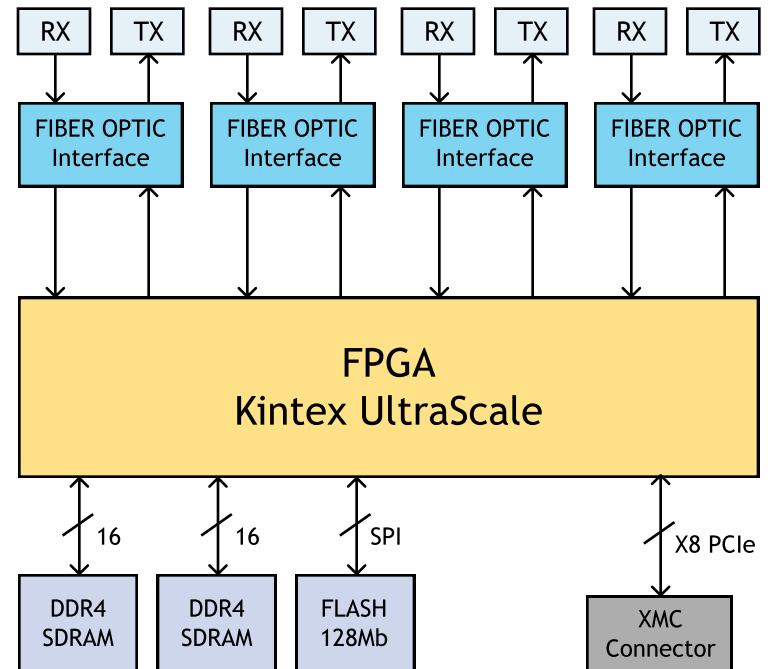


SCXMC-AURORA

Features

- Aurora 64B/66B protocol specification compliant
- 4 x Fiber optic serial interfaces(LC)
- 8 x PCI Express interfaces(XMC)
- Supports optical channel bonding



Specification

Item	Description	Remark
FPGA	XCKU035-2FFVA1156I	
Flash Memory	128Mb NOR Flash Memory	MT25QU128ABA
Memory	2 x DDR4 SDRAM (512M x 16)	
Fiber Optic	4CH Fiber Optic Duplex Transceiver Module Supports Data Rates 10.3125Gbps per channel Supports optical channel bonding(option)	RJ-10G-SX-R-A-x
Environment	Operating	-40 °C to +85 °C
	Storage	-50 °C to +100 °C
	Humidity	0% - 95% Non-Considering
Reliability	MTBF	435,888(HOUR)
Form Factor	XMC Connector PCIe x 8 Gen3	
Power Requirement	DC+12Volt 1A(MAX) DC+3.3Volt 1.5A(MAX)	
Dimensions	158mm x 74mm x 13.7mm	
Weight	Approx. 0.10 Kg	